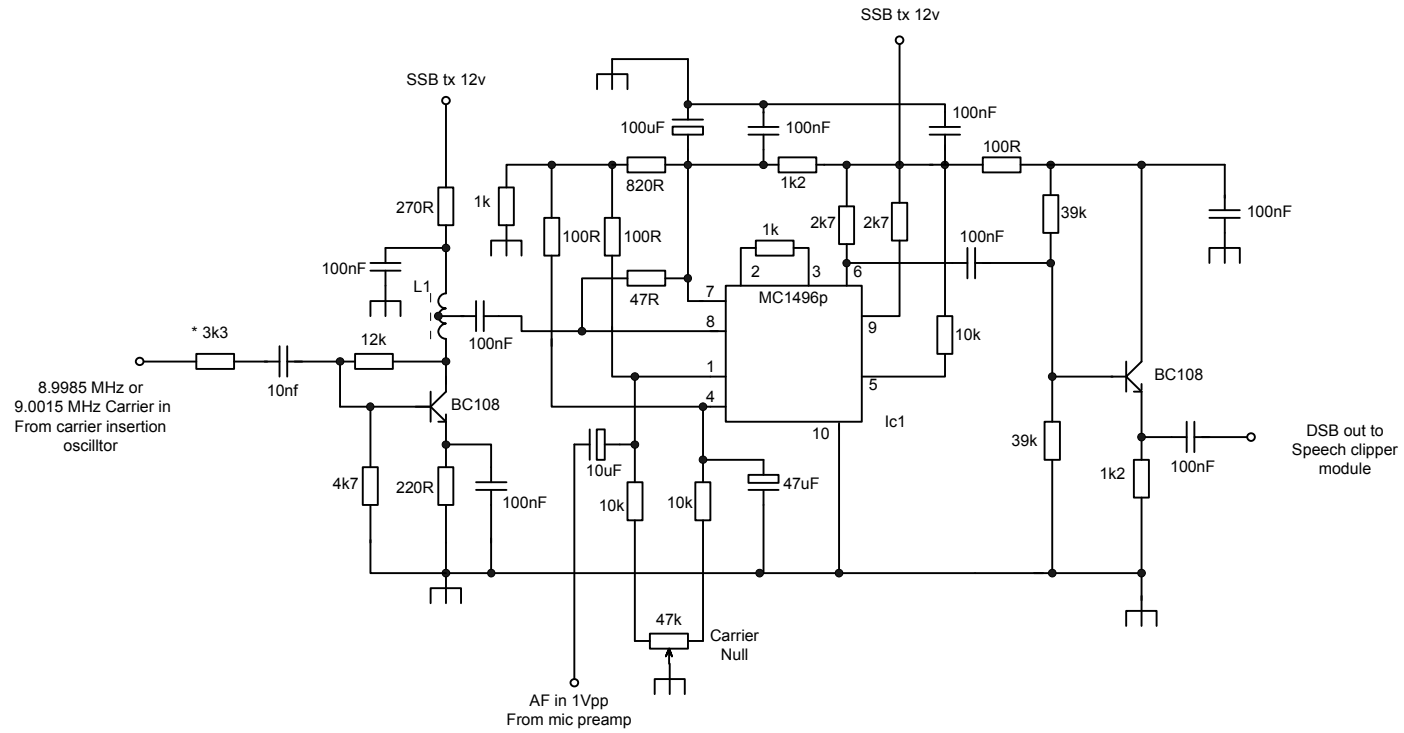


M0DGQ

DSB generator



* adjust this R to give 180mVpp at pin 8 on Ic1

L1 = 4t bifilar on ferrite bead